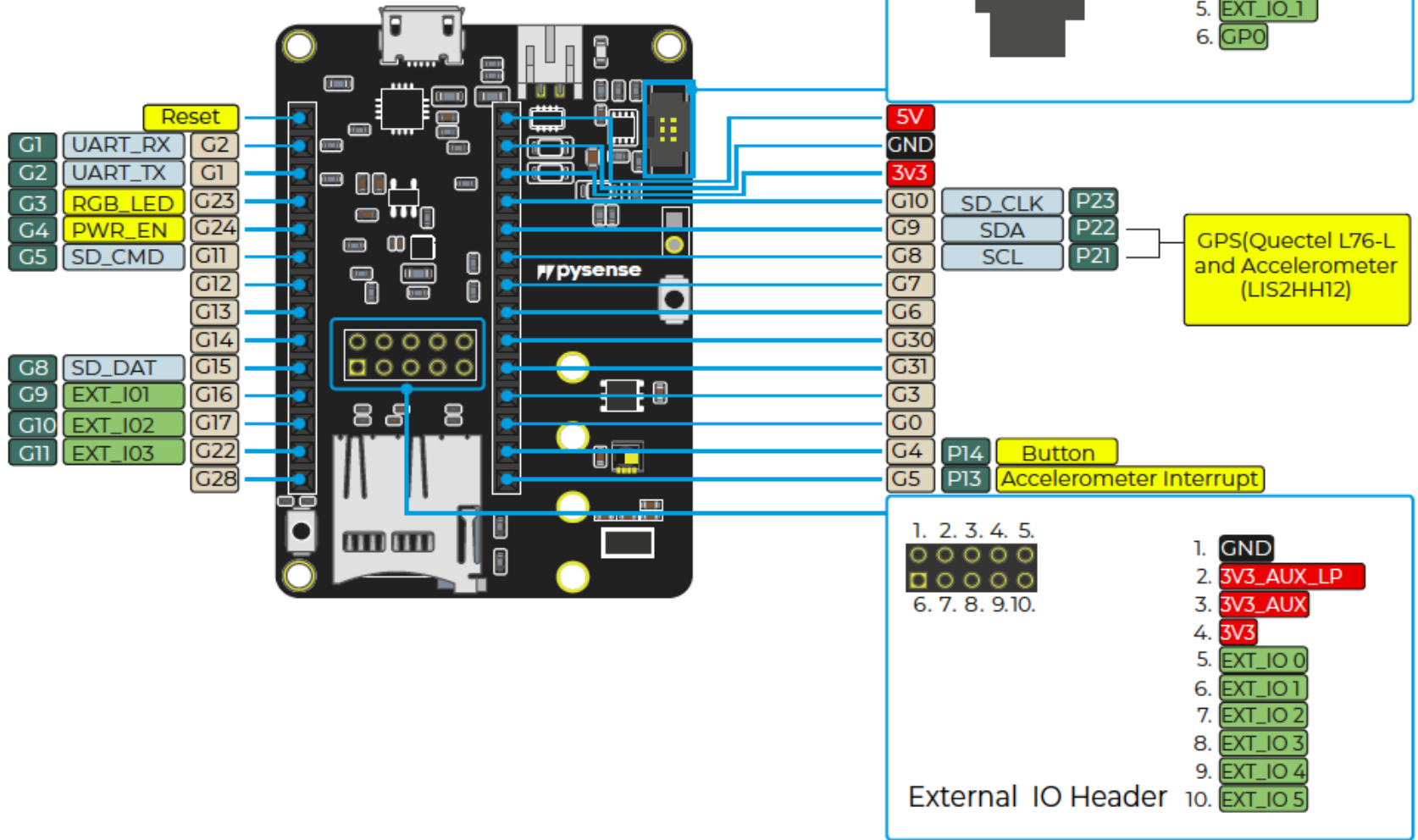
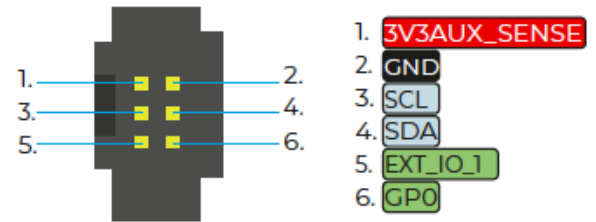


- POWER
- GND
- Serial PIN
- External IO PIN
- CONTROL



Sensor header



GPS(Quectel L76-L and Accelerometer (LIS2HH12))

